

ONYX VALVE CO

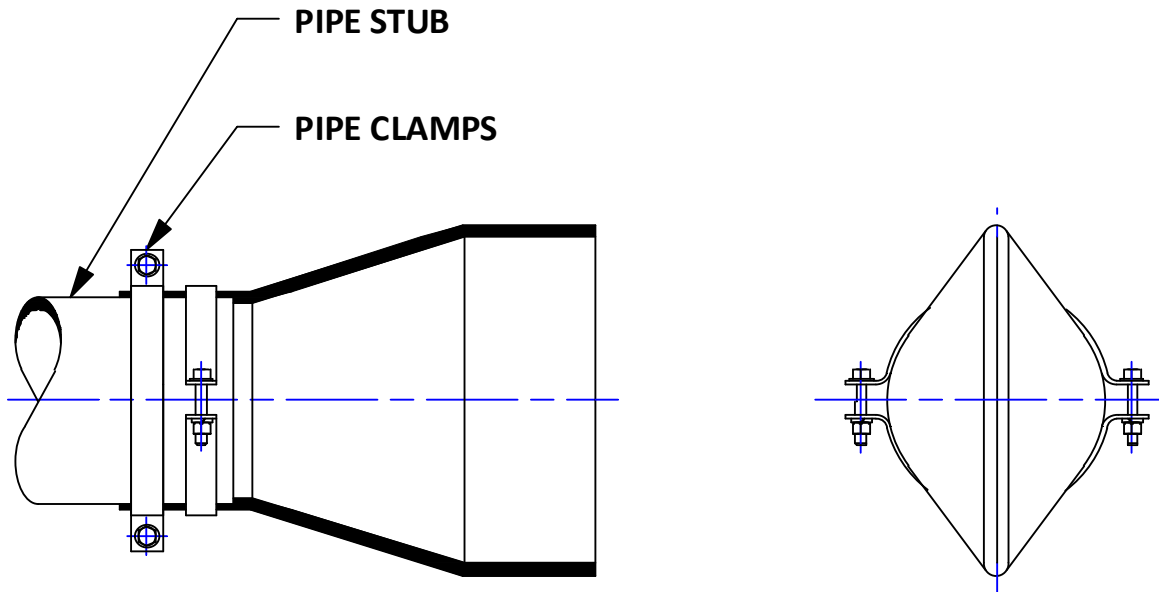
MODEL DBS DUCKBILL CHECK VALVE

Installation & Maintenance

OPERATION:

(09-10)

The Onyx series DBS is a slip-on check valve that a rubber sleeve of the valve slides over a pipe stub and retained by pipe clamps. The valve opens with very little resistance to forward flow and offers the maximum backflow prevention. The Onyx DBS duckbill check valves are designed to resist backpressure up to 30 feet (9 meters) of water.

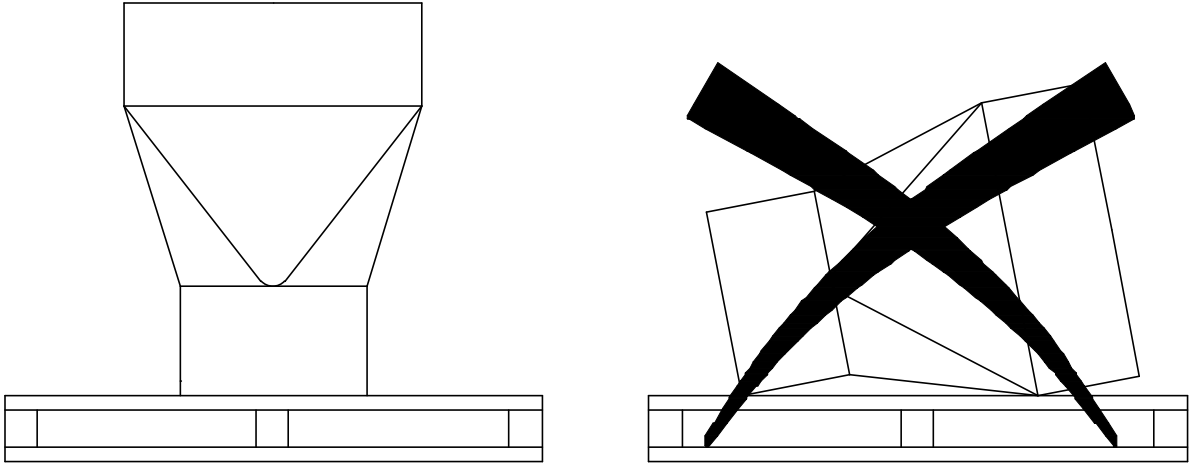


STORAGE

Correct storage procedures extend usefulness of rubber sleeves in check valves. Ideal storage conditions are 50°F and 60% relative humidity.

1. Store rubber sleeves in vertical position.
2. Keep rubber sleeves as cool as possible. Allow maximum ventilation in storage areas subject to high ambient summer temperatures. Truck trailers and storage sheds become incredibly hot during summer months. Avoid such locations.
3. Avoid sunlight. Ultra-violet light accelerates the deterioration of rubber. Leave the valves in its box or cover them with black plastic.

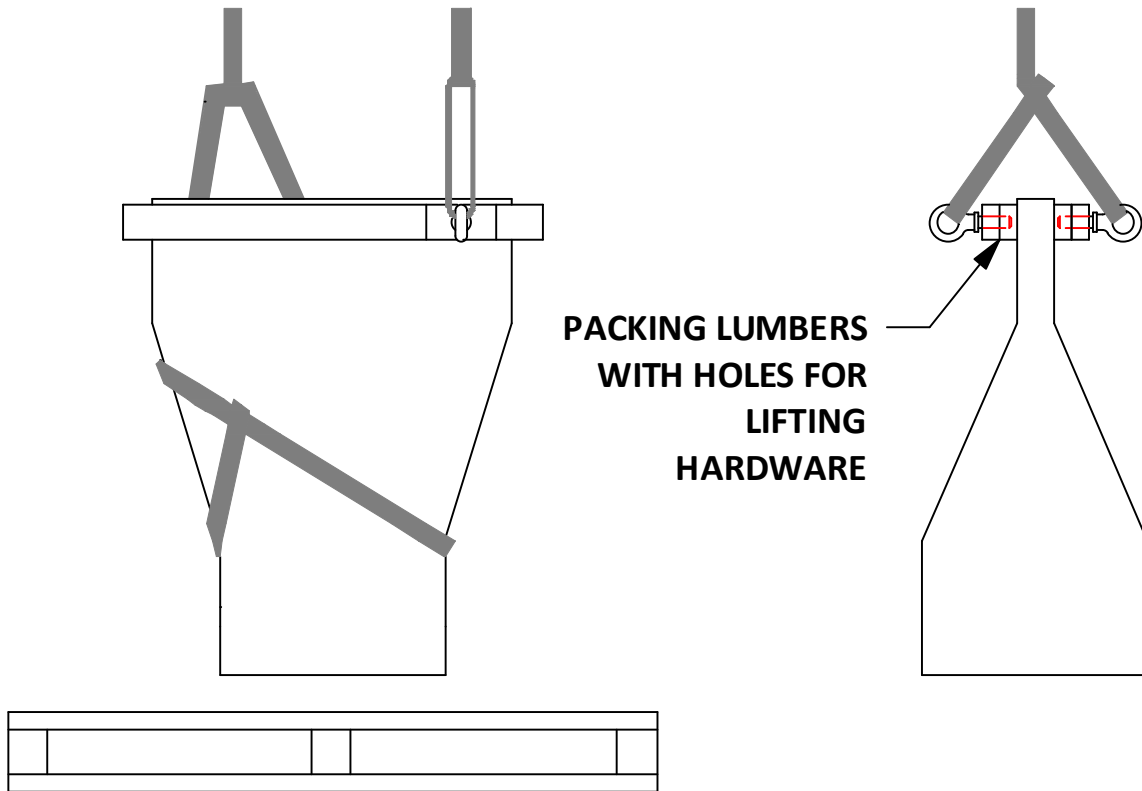
4. Avoid ozone. DO NOT STORE rubber sleeves near active electrical equipment. For long-term storage, coat the face and inside the sleeve twice yearly with silicone spray or liquid.



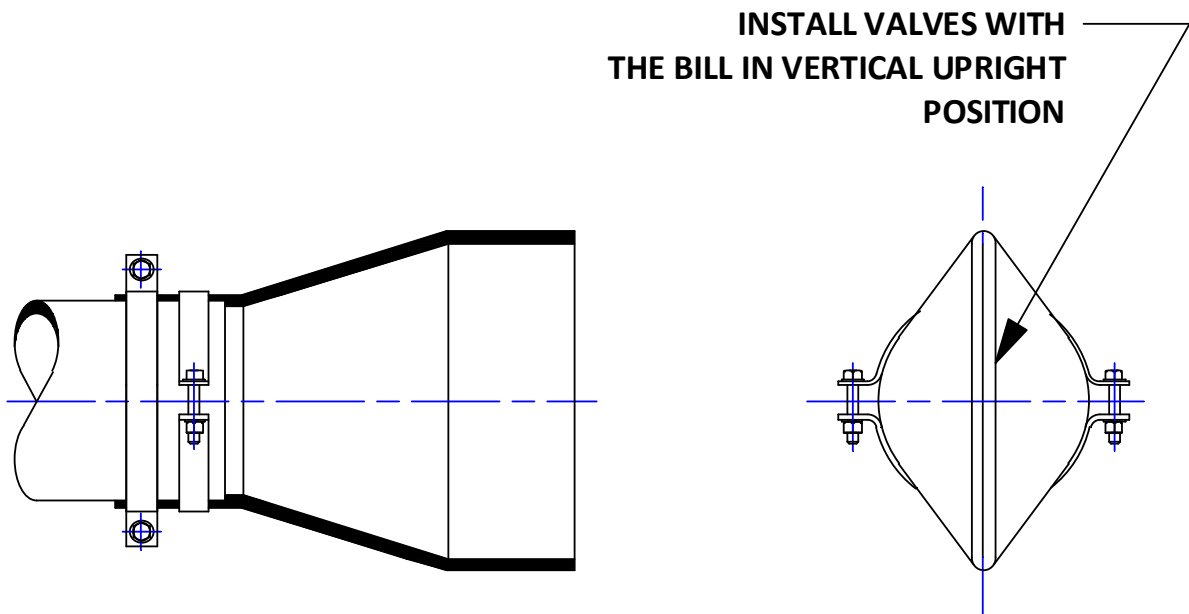
STORE RUBBER SLEEVES IN VERTICAL POSITION

INSTALLATION:

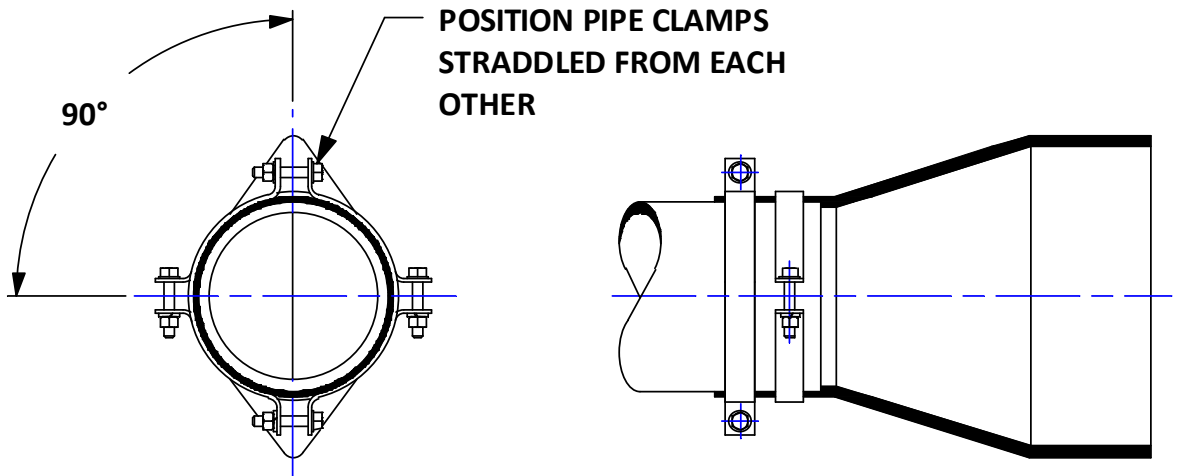
1. Prior to installation, conduct visual inspection of valves.
2. For lifting of valves, use packing lumbers with holes provided for lifting hardware. Do not discard the packing lumbers until installation is completed.



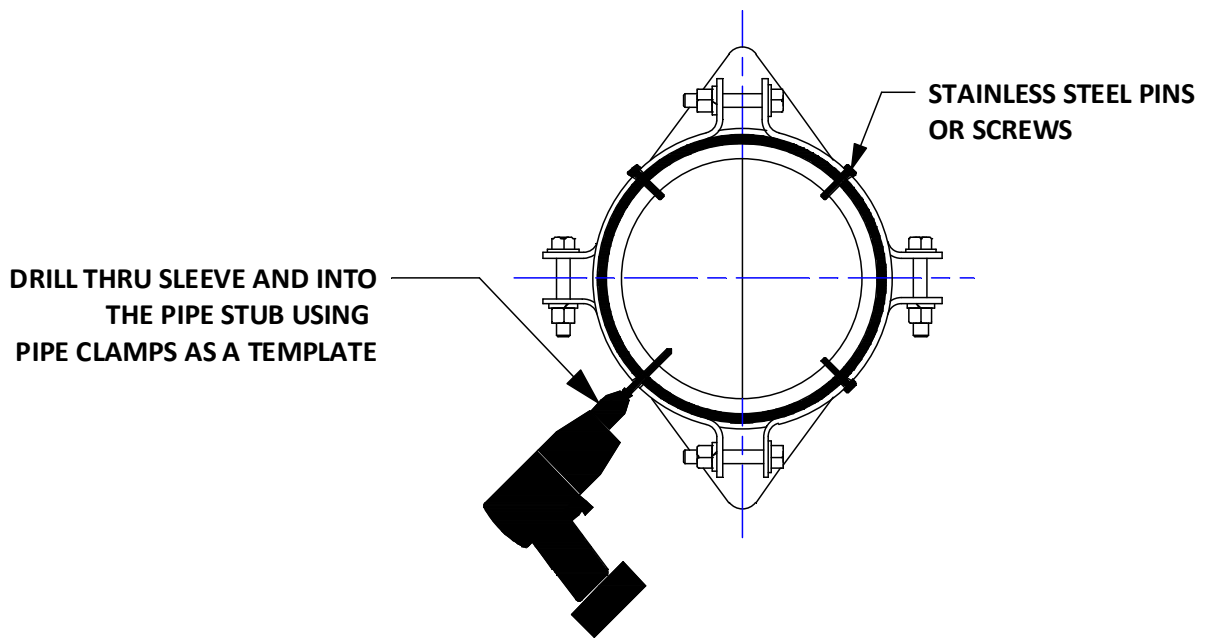
3. Install valves with the bill in vertical upright position.



4. For the maximum effectiveness of the clamps, position pipe clamps straddled from each other.



5. On larger valves, 40" and up, use stainless steel pins or screws to secure that the check valve does not slide off the pipe stub during high flow conditions.



Questions?

Contact Onyx Valve Co

Ph: 856-829-2888 Fax: 856-829-3080

e-mail: david@onyxvalve.com