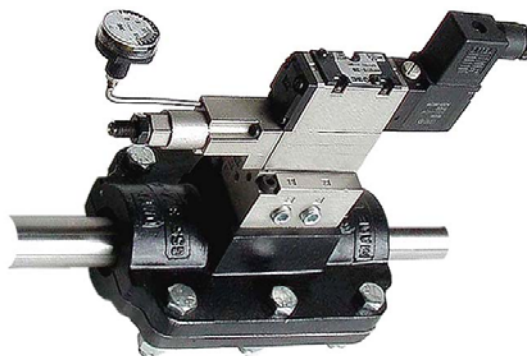


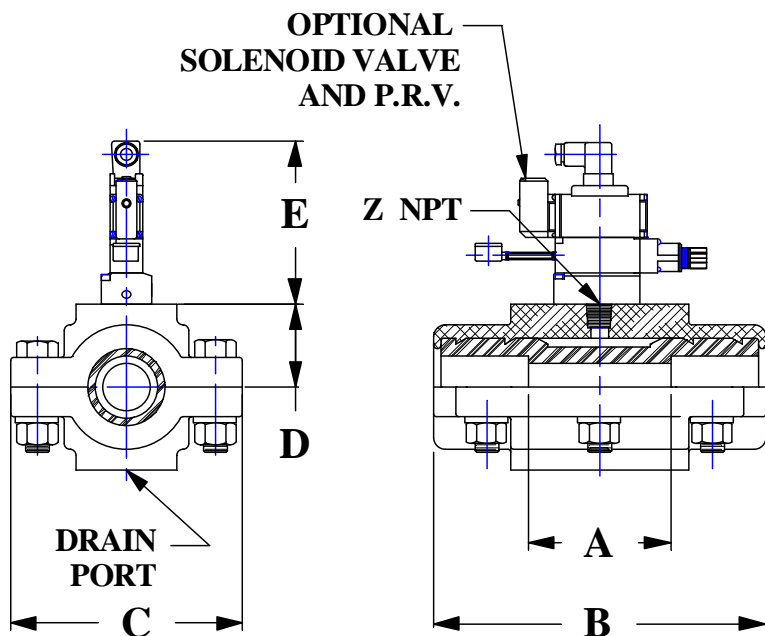
Full Round, Direct Air Operated, Enclosed Construction, Slip-On Connection

- Clog resistant full round opening
- Light weight cast aluminum housing
- Slip-on pipe connection. No threads, grooves, or flanges
- Low pressure drop
- No packing
- Drop tight closure
- Simple operation, rubber sleeve is the only moving part.



Applications: Ideal for controlling abrasive, viscous and corrosive fluids including wastewater, mine slurries, chemicals, cement, pulp stock, powder and pellets.

Operation: The GSS consists of a rubber sleeve inside a full round cast aluminum bonnet assembly. Injecting compressed air into the bonnet assembly causes the rubber sleeve to collapse, blocking flow through the valve. When the pressure is released, the resiliency of the rubber sleeve reopens the valve.



Specifications:

- Aluminum housing

Options:

- Epoxy paint
- Sleeve elastomer
- Bolt-on pact solenoid valve is a 4-way, 5-port solenoid with weatherproof coil and manual override.
- PRV (with solenoid valve)
- I/P transducer for modulating service

All dimensions are in inches.

SIZE	1/4	1/2	3/4	1	1-1/4	1-1/2	2	2-1/2	3	4
A	2.00	2.38	3.12	3.00	3.50	4.25	5.50	7.00	8.00	10.00
B	4.75	5.50	6.00	7.00	8.25	10.00	11.50	14.00	16.00	20.00
C	3.62	4.00	4.25	4.87	5.31	5.56	7.18	7.81	9.12	10.31
D	1.18	1.37	1.56	1.75	2.00	2.18	2.56	3.06	3.50	4.43
E	4.62			6.82						8.00
Z	1/4 NPT									3/8 NPT
Wt, lb	1.5	2	3	5	7	11	15	21	25	44
P Max	50 psi							35 psi	30 psi	25 psi