



# ONYX VALVE

835 Industrial Hwy, Cinnaminson, NJ 08077

phone: 856-829-2888 | Fax: 856-829-3080 | onyxvalve.com

## PSQ

The Onyx Isolator Ring provides a simple, method to measure pressure of slurries and corrosive fluids. The PSQ series is compatible with Tri-Clover pipe connections. Quick connection to Tri-Clover pipe provides accurate alignment and fast installation.

The inside diameter of the PSQ precisely matches sanitary pipe for smooth, unobstructed flow, self-cleaning operation, and minimum turbulence and friction. Onyx ultra-deep vacuum filling insures the highest accuracy in the industry. The patented "Module Seal" - standard on all Onyx Isolator Rings - allows instruments to be or replaced or calibrated with minimum down time.

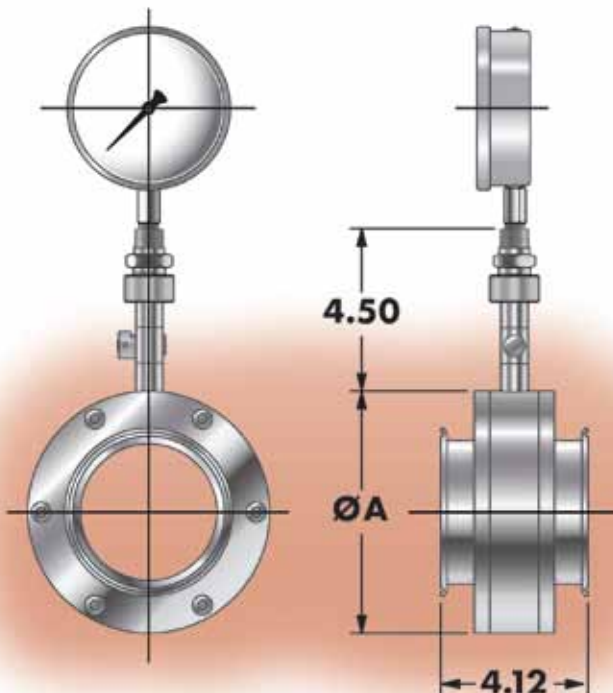
### Materials of Construction

Center Section:	316 Stainless Steel	
End Plates:	316 Stainless Steel	
Elastomer: (Available with optional Teflon coatings)	Nitrile (Buna-N)	-30°F → 220°F
	EPDM (Nordel)	-40°F → 300°F
	Viton	-15°F → 375°F
	White Neo	-20°F → 220°F
Fill Fluid:	Silicone Fluid	-40°F → 400°F
	Vegetable Oil	0°F → 250°F
	Food Grade Silicone	-20°F → 400°F
Module Seal Stinger Fitting:	316 Stainless Steel	
Pipe Fittings:	316 Stainless Steel	
Pressure Range:	Vacuum to 150 psi	



### Benefits:

- Absolute immunity to clogging
- Tri-Clover fittings allows for quick disconnect from piping system
- FDA Silicone oil fill fluid is safe, non-toxic, non-corrosive, and stable from -40°F to +400°F
- High displacement design can operate multiple instruments on one ring
- Ideal for brine, pickling solutions, tomato paste, chilies, mustard, pet food, and chocolate
- No tools required to change pressure instrument



Size	ØA
1	3.25
1 ½	3.25
2	4.00
2 ½	4.75
3	5.25
4	6.75
6	8.62