

# ONYX VALVE CO

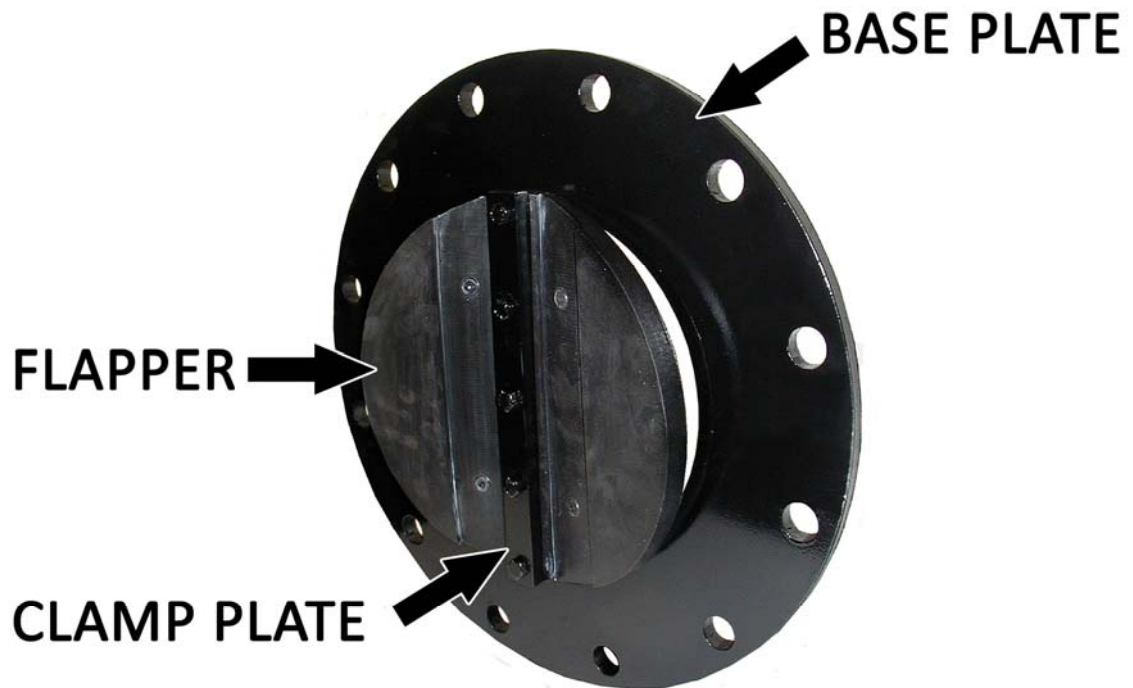
## MODEL WCV CHECK VALVE

### Installation & Maintenance

#### OPERATION:

(08-10)

The Onyx series WCV is a flanged check valve designed primarily for minimum resistance with forward flow and delivers the maximum backflow prevention. The valve can be installed between two joining flanges in both horizontal and vertical pipelines.



### WCV CHECK VALVE

#### STORAGE

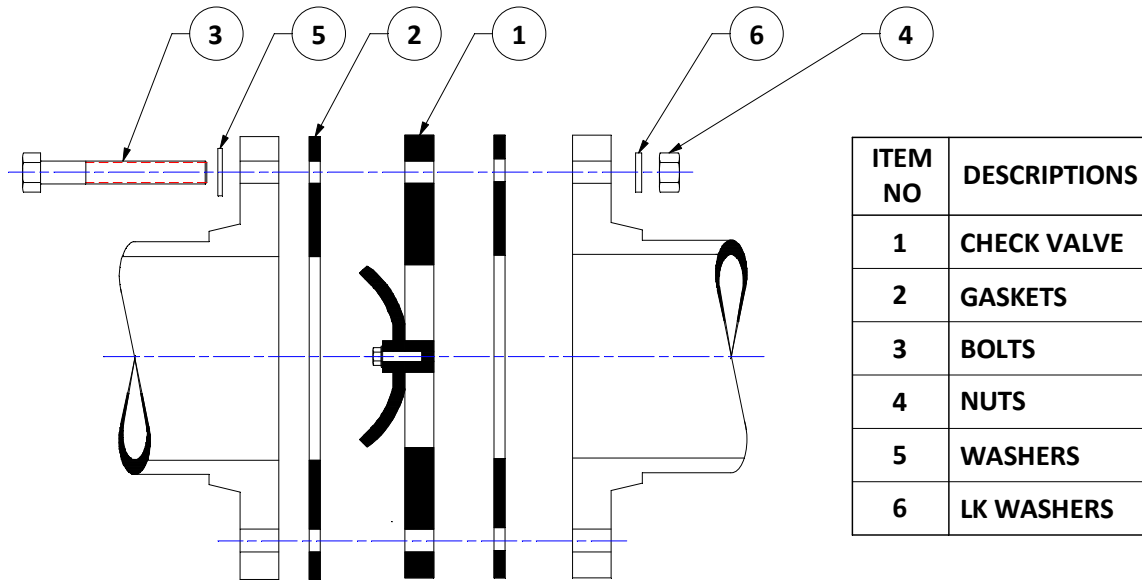
Correct storage procedures extend usefulness of rubber components in check valves. Ideal storage conditions are 50°F and 60% relative humidity.

1. Keep valves as cool as possible. Allow maximum ventilation in storage areas subject to high ambient summer temperatures. Truck trailers and storage sheds become incredibly hot during summer months. Avoid such locations.

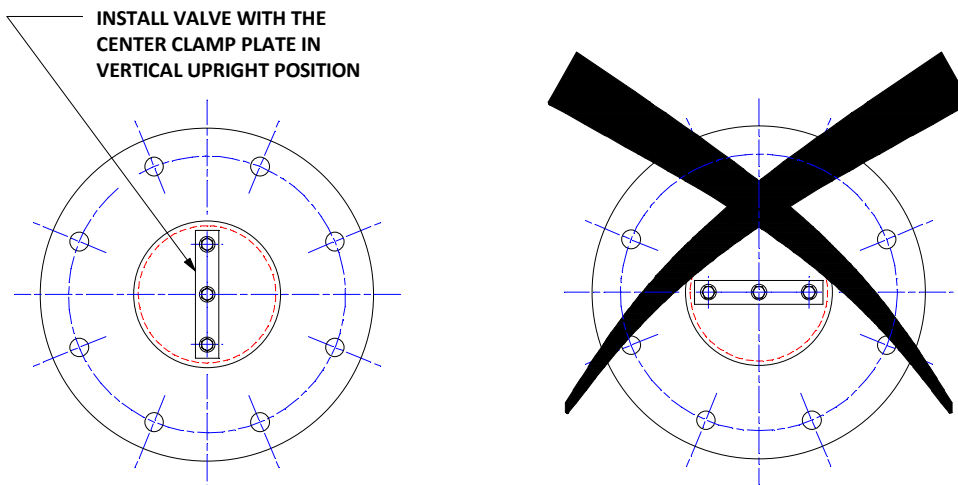
2. Avoid sunlight. Ultra-violet light accelerates the deterioration of rubber. Leave the valves in its box or cover them with black plastic.
3. Avoid ozone. DO NOT STORE valves near active electrical equipment.

**INSTALLATION:**

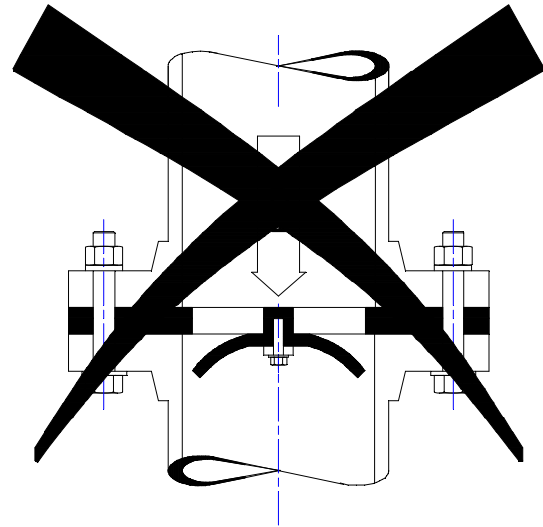
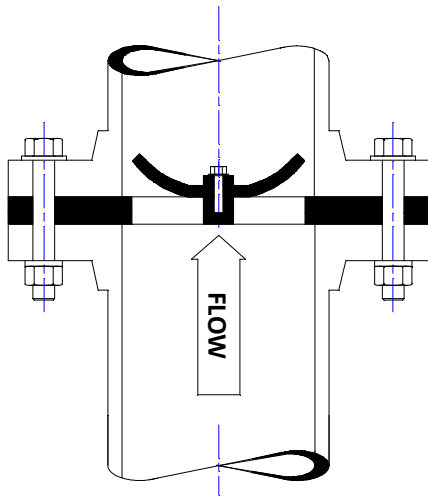
1. Install valve as shown between two joining flanges.



2. For horizontal pipeline, install valve with the clamp plate in vertical upright position.



3. For vertical pipeline, valve can be installed **Flow Up** direction only.



**Questions?**

**Contact Onyx Valve Co**

**Ph: 856-829-2888 Fax: 856-829-3080**

**e-mail: david@onyxvalve.com**