

ONYX VALVE COMPANY

Model DAO PFO

Installation & Maintenance

Table of Contents:

Dual Pinch(D), Pneumatic Actuated(A), Open Frame(O), Process(P), Fail(F), Open(O)

| | |
|--|----|
| Operation, Testing..... | 2 |
| Storage, Design Criteria | 3 |
| Inspection, Safety..... | 4 |
| Installation & Design Considerations | 5 |
| Orientation | 7 |
| Installation Tips | 9 |
| Electrical Connections | 10 |
| Installation..... | 11 |
| Maintenance..... | 13 |
| Operation..... | 14 |
| Start Up & Duty Cycle..... | 15 |
| Valve Actuator Table..... | 16 |
| Sleeve Replacement..... | 17 |
| Actuator Removal & Installation..... | 19 |
| PFO Air Bag Replacement..... | 20 |
| Actuator Nomenclature..... | 21 |
| Troubleshooting | 25 |
| Warranty & Contact Information..... | 26 |



ONYX VALVE COMPANY

MODEL DAO PFO

Installation & Maintenance

OPERATION:

The Onyx DAO PFO pinch valve is an open frame valve without housing enclosure and fails in POSITION FAIL OPEN (PFO) position. The actuator operates a valve stem that drives a direct acting pinch bar (or a pair of pinch bars in case of full round port) to close the rubber sleeve bubble tight. Positive opening tabs molded into the sleeve attached to the pinch bar insure complete opening.

TESTING:

All Onyx pinch valves are tested to customer specifications before shipment. Unless otherwise specified, all valves are shipped assembled with all actuator limit switches, torque switches, and positioners fully adjusted and calibrated.

STORAGE

Correct storage extends valve life. The rubber sleeve in the valve is perishable. Ideal storage conditions are 50°F and 60% relative humidity.

1. Keep valves and spare sleeves as cool as possible. They can be stored in an unheated area, but allow maximum ventilation in storage areas subject to high ambient summer temperatures. Truck trailers and storage sheds become incredibly hot during summer months. Avoid such locations.
2. Avoid sunlight. Ultra-violet light accelerates the deterioration of rubber. Leave the valve in its box. If not feasible to box the valve, cover the sleeve with black plastic.
3. Avoid ozone. DO NOT STORE valve near active electrical equipment. For long term storage, coat the face and inside the sleeve with silicone spray or liquid.

DESIGN CRITERIA

The **maximum process temperature** that the valve can tolerate is based on the elastomer used to fabricate the sleeve.

| Poly Isoprene | Chloroprene | EPDM Ethylene Propylene | Nitrile | Butyl | Fluorocarbon |
|-----------------------------|------------------------------|-------------------------------|----------------------------|------------------------------|------------------------------|
| PGR Pure Gum Rubber | Neoprene | Nordel | Buna-N | Butyl | Viton |
| -30°→+180° F -34°→+82° C | -20°→+220° F -29°→+104° C | -40°→+300° F -40°→+150° C | -30°→220° F -34°→104° C | -30°→+225° F -34°→+106° C | -15°→+375° F -26°→+190° C |

The **maximum safe process pressure** that the valve sleeve and housing can tolerate is based on valve size and flange rating. For Onyx model DAO valves with 150# flanges maximum process pressure:

| Size | ½ -2 | 2½ | 3 | 4 | 6 | 8 | 10 | 12 | 14 | 16 | 18 | 20 | 24 |
|-------------------------|------|----|-----|---|---|----|----|----|----|----|----|----|----|
| P _{max} psi | 150 | | 100 | | | 75 | | | 50 | | | | |

Notes:

1. Higher pressure ratings are available on special order.
2. This is the maximum safe pressure that the valve body can safely handle. The actuator is sized to close against the line pressure stipulated on the customer's PO and in most cases is significantly lower than max rated housing pressure shown here. Check name tag on the valve for maximum operating pressure based on actuator available thrust.

1. **Inspection:** Inspect the valve before installation. Report any shipping damage before installation. DO NOT INSTALL A VALVE KNOWN TO HAVE BEEN DAMAGED IN SHIPMENT. Check inside the valve to make sure no foreign objects are present.

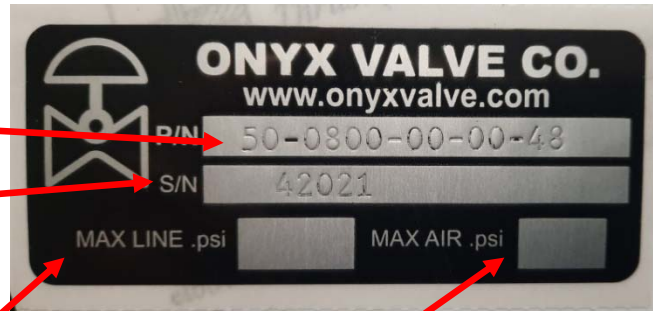
2. **Identification:**

Part#. Use the part number shown on unit tag when ordering spare or replacement parts.

Serial#

This is the pressure that the valve was tested at the factory prior to shipping.

This is the maximum compressed air pressure feeding the actuator.



the

3. **Safety:**

- a) **Leakage:** Consider the possibility of leakage. Pinch valves handle abrasive fluids; it is reasonable to expect the rubber sleeve to eventually wear out and leak. Precautions should be taken where liquids may spray out or drip down onto electrical equipment or plant personnel or combustible fluid may drain into a dangerous area.
- b) **After shutting down:** Pinch valves can hold pressure in a system for a considerable length of time. Means should be provided to safely relieve pressure and drain lines.

4. **Flanges:**

- a. Onyx pinch valves are designed to work with standard ANSI 150# (or 300#) flanges.
- b. No gasket is required; the sleeve face *is* the gasket.
- c. Make sure the inside edges of mating flanges are filed or ground smooth. Any sharp edges on the inside corner of mating flanges will cut the rubber sleeve causing premature failure.
- d. Valve flanges have through holes and are designed to have an ANSI hex (not heavy hex) nut behind the flange. Flange bolts must be inserted from the mating flange side.
- e. Use **flat face flanges**. Do NOT use raised face flanges. Raised face flanges cut into the rubber sleeve damaging it.
- f. Flange bolts must be installed through the mating flanges. Flange bolts can **not** be inserted from the valve side of the flange assembly.



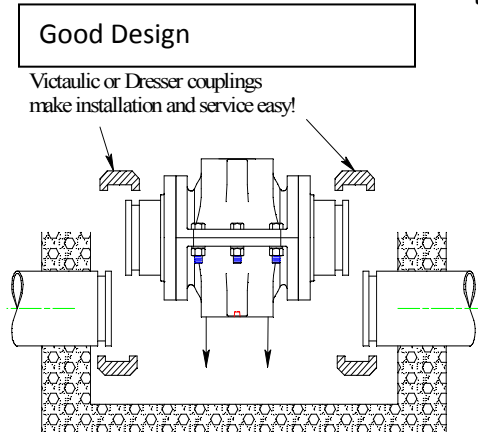
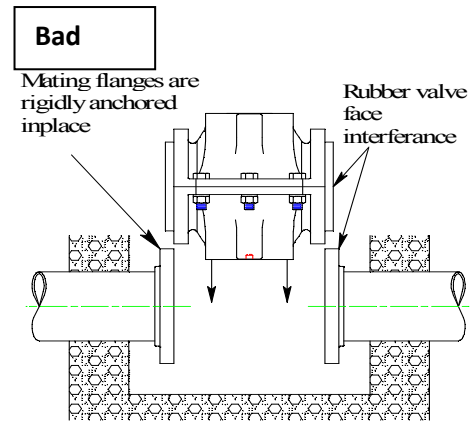
5. Installation Design considerations:

- If the valve is at the end of a pipe run, install a flange ring on the discharge end of the valve to seal the properly.
- Design the installation so the valve can be removed and reinstalled later.

Pinch valve sleeves wear out and have to be replaced. The rubber sleeve is molded longer than the housing to provide enough compression in the rubber to prevent leaks. If mating pipe flanges are rigidly anchored in concrete or welded in place, you might be able to remove the valve from the line but there will be hell to pay when you attempt reinstall it. The protruding rubber faces of the sleeve will thwart any attempt to get the valve back into place.

- Using a Victaulic or Dresser coupling will facilitate removal and make it easy to reinstall the valve later.

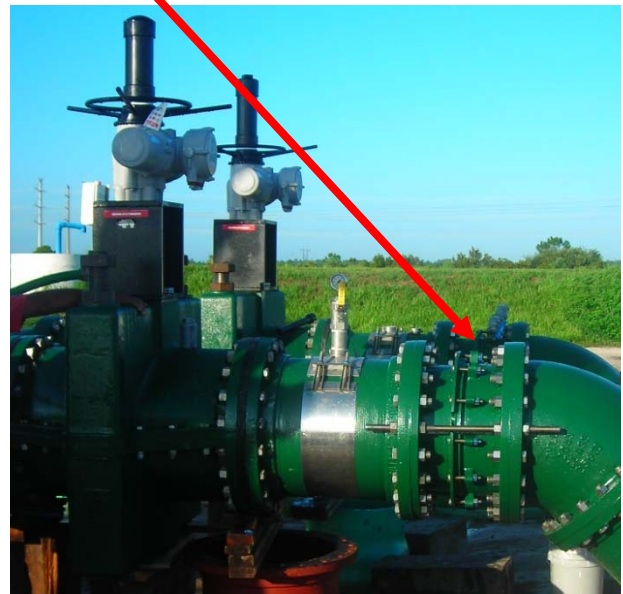
By using split couplings, the mating flanges can be attached to the valve first and tightened prior to installation. Then the entire assembly can be dropped into place and secured with the split couplings.



to

Victaulic couplings.

Dresser coupling



- On valves **for any modulating service**: Allow at least 2-pipe diameters straight run into throttling valves as a minimum.

Good ↓



Better ↓



7. Valves for **On/Off** service can be connected directly to adjacent pipe fittings without straight run in or out.



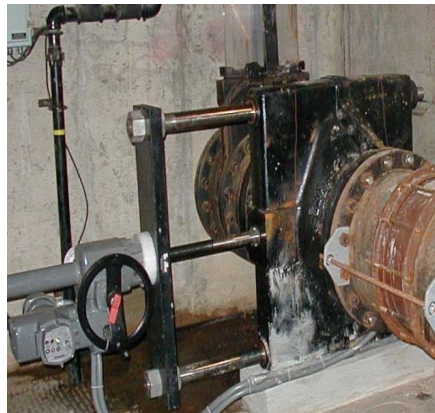
Orientation:

There are 4-ways to install any pinch valve. 1 and 3 are good. #2 and #4 are bad.

1. Valve upright in horizontal pipe. ➡
 - i. OK for liquid applications.
 - ii. OK for dry bulk applications.



2. 90° from vertical in horizontal pipe. ➡
 - i. Not RECOMMENDED for OPEN-FRAME-VALVES



3. Valve horizontal in vertical pipe. ➡
 - i. OK for liquid.
 - ii. OK for dry bulk applications.
 - iii. NOTE: OUTBOARD ACTUATOR SUPPORT



4. Valve at intermediate angle.
 - i. Trouble brewing. Don't do this. ➡



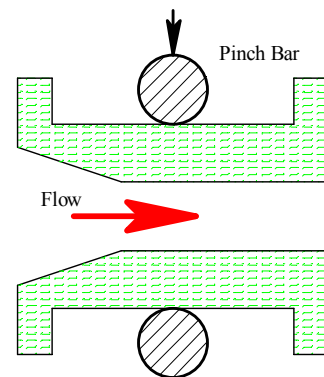
Locate the valve where it can be reached for service and sleeve replacement. Allow access by technicians who may have to calibrate automatic valves. Allow access to the auxiliary hand wheel if valve was so equipped.

Be sure pipeline is clean. Foreign material left in the pipeline can damage valves. Clean the mating flanges of adjacent pipe. Remove any old gasket material.

Most pinch valves can be installed with flow in either direction.

Note: The exception: modulating valves with Trumpet Mouth (Taper-Inlet-Only) design. In this case there will be a Flow Arrow on the valve showing correct flow direction. The correct flow direction is always from the tapered end towards the non-tapered end.

Do not install valve next to a source of extreme heat.



Installation tips:

- a. Close valve prior to installation.
- b. Make sure adjacent pipe is properly aligned.
- c. Adjacent pipe must have sufficient travel to insert valve and draw tight to compress sleeve faces; valve will not stretch.
- d. Coat faces of valve sleeve with silicone lubricant to facilitate installation and later removal of the valve and to preserve the resiliency of the rubber.
- e. Bolt valve into pipeline. Snug up the bolts gently in a crisscross pattern. It may be necessary to re-tighten bolts later after the rubber has taken set.

| Bolt Torque in ft-lb | | | |
|-----------------------------|---------|-------------------------|-----------|
| Flange | # bolts | Pinch & Duckbill Valves | |
| | | 1st hit * | 2nd hit * |
| 1 | 4 | 30 | 50 |
| 1.5 | | | |
| 2 | | | |
| 2.5 | | | |
| 3 | | | |
| 4 | 8 | 45 | 65 |
| 5 | | | |
| 6 | | | |
| 8 | | | |
| 10 | 12 | 50 | 80 |
| 12 | | | |
| 14 | | | |
| 16 | 16 | 60 | 95 |
| 18 | | | |
| 20 | 20 | 65 | 150 |
| 24 | | | |
| 30 | 28 | 75 | 175 |

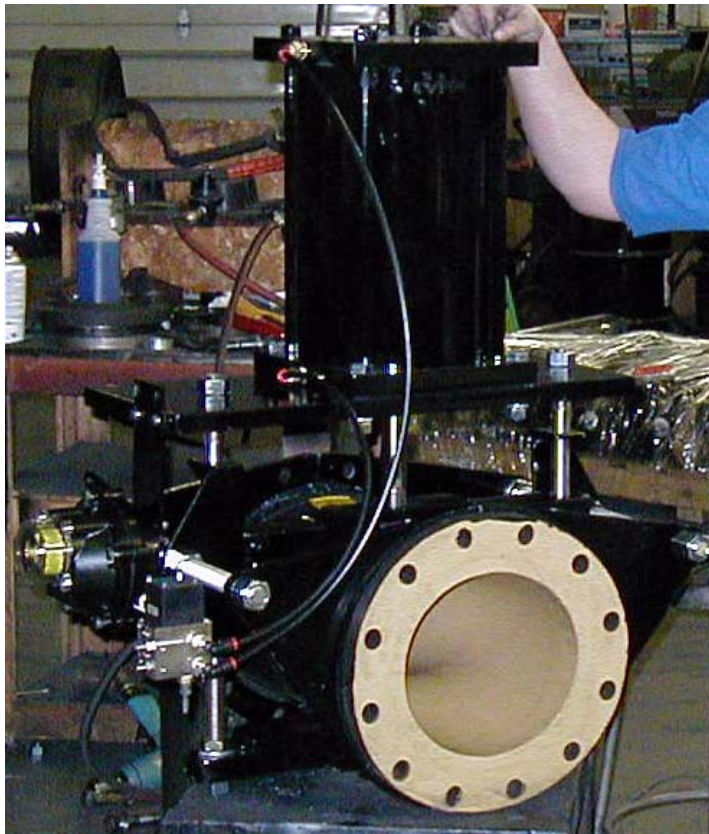
Electrical connections:

All wiring must be performed by a qualified electrician in accordance with **local and national electrical codes.**

If your valve is equipped with a solenoid valve or a positioner or **limit switches:**

Refer to instruction manual supplied with your solenoid valve, **positioner or limit switches** for details on these accessories.

On DAO valves, the Actuator moves up & down every time.



The valve cycle, travel distance = $\frac{1}{2}$ Nominal Value Size e.g.) on an 8" valve the actuator goes up & down 4 inches.

USE FLEXIBLE CONDUIT AND FLEXIBLE AIR LINES ON ALL ACTUATOR CONNECTIONS

INSTALLATION:

1. Safety considerations.
 - a) Process fluid: Open frame pinch valves are designed to handle benign fluids such as storm water, sand and water solutions, mine tailings, etc. When the sleeve wears out, you can expect that the process fluid will spray out in the vicinity of the valve. Make sure that this is acceptable.
 - b) **WARNING: Open frame pinch valves are NOT designed to control acids, caustic, scalding hot, toxic, or flammable or other hazardous fluids. When the sleeve wears out in an open frame valve, process fluid is going to spray out all over the place. Hazardous fluid escaping from the valve can cause serious injury and/or property damage.** Always use an enclosed valve with secondary containment option for hazardous or noxious fluids.
 - c) Leakage: Consider the possibility of flange leakage due to improper tightening of flange bolts. Pinch valves handle abrasive fluids; it may be reasonable to expect the sleeve to eventually wear out. Precautions should be taken where liquids may drip onto electrical equipment or plant personnel, or where combustible fluid may drain into a dangerous area.
 - d) After shut down: Pinch valves seat can hold pressure in a system for considerable time. Means should be provided to safely relieve pressure and drain lines.
2. **Flanges:** Onyx pinch valves are designed to work with standard ANSI 150# (or 300#) **flat face** flanges. No gasket is required; the sleeve face *is* the gasket. Be careful when using Victaulic type flanges, as the grooving machine often leaves a sharp edge inside the flange. This sharp edge will cut the rubber valve sleeve causing premature sleeve failure. Make absolutely sure that the inside edges of mating flanges are filed or ground smooth. Valve flanges have through holes and are designed to have an ANSI hex (not heavy hex) nut behind the flange. Flange bolts must be inserted from the mating flange side.
3. Model DAO PFO pinch valves can be configured for full round and pre-pinched port. For full round, the actuator moves every time the valve cycles:
 - a) You must use flexible airlines to the pneumatic cylinder.
 - b) You must use flexible conduit to connect to actuator or any electrical accessories such as solenoid valves, positioners, or limit switches which may be mounted to the pinch valve.

4. Close valve prior to installation. Make sure adjacent pipe is properly aligned. Adjacent pipe must have sufficient travel to insert valve and draw tight to compress sleeve faces; valve will not stretch. Add an expansion joint if necessary, to obtain required free play. Make certain adjacent pipe has sufficient free play to allow removal and reinstallation of the valve. (Flange gaskets are not required but may be used for spacers if necessary.)
 - i. Coat faces of valve sleeve with silicone lubricant to facilitate installation and later removal of the valve and to preserve the resiliency of the rubber.



9. MAINTENANCE.

a. Lubrication Schedule:

- i. At start up: Construction activities can create a lot of abrasive dust so it's a good idea clean and oil the stem and guide rods at start up.
- ii. Once a year: Clean and oil the stem.

1-Spray valve rods and actuator stem with WD-40.

2- Wipe clean with a soft rag.

3- spray with WD-40 again but this time do not wipe it off.



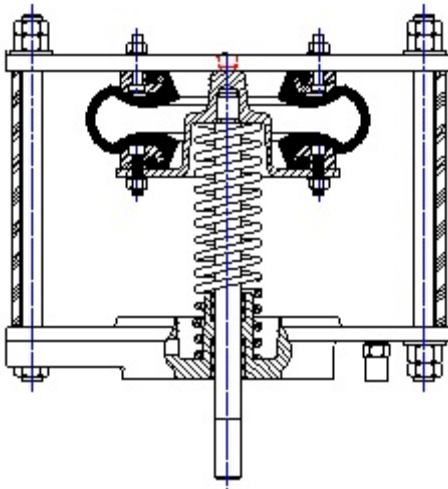
OPERATION:

This is a single acting actuator. The Onyx series DAO-PFC pinch valves fail closed on loss of air. This simple spring and air bag arrangement drives a pinch bar to close a rubber sleeve bubble tight. Positive opening tabs molded into the sleeve attached to the pinch bar insure complete opening.

When equipped with a positioner, the DAO valves are efficient reliable control valves. These actuators are designed and manufactured by Onyx Valve Co. They are available in two configurations: The PFO, which fails open, and the PFC, which fails closed.

The air bag actuator has no piston rings and no diaphragm, assuring the user high efficiency, low hysteresis and good sealing characteristics.

Actuators are rated for 125-psi maximum supply air pressure.



It has a sintered metal breather vent on the bottom. Actuator cannot operate properly if this vent is not functional.

Do not paint the breather fitting!

10. **Start up. Duty Cycle and what to watch for.**

Every Onyx pneumatic actuated valve is tested at final assembly.

The valve is flanged and pressurized to max working pressure stated on Order Acknowledgement + 10%.

Limit switches (if provided) are set here at the factory.

Positioners and position re-transmitters are calibrated here at the factory and should not require any adjustment in the field.

Valve should be Plug & Play. You should only have to connect electric power and/or command signals and valve should be ready to operate.

Pneumatic actuators can cycle at high speed, continuously, with no mandatory rest period.

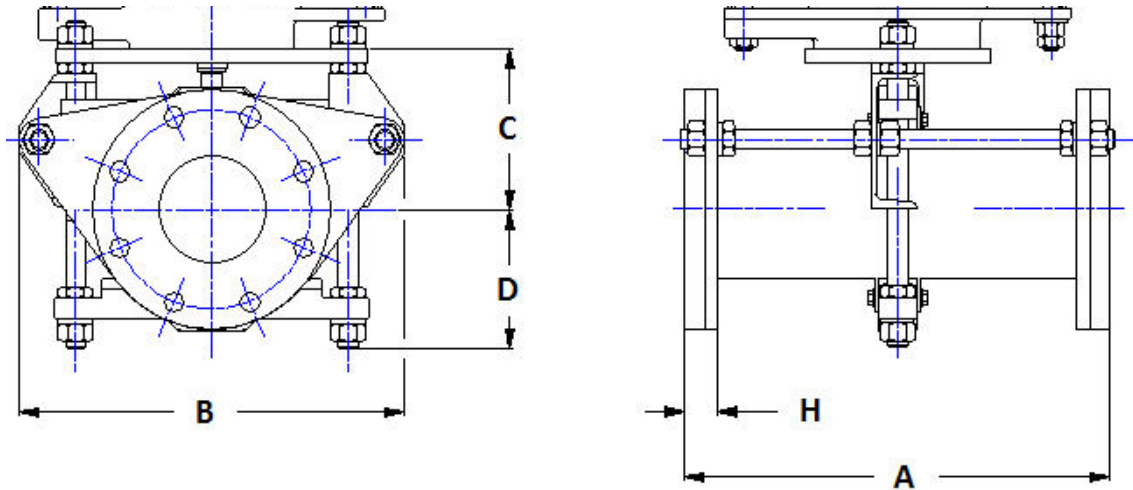
For **on-off** service, you want maximum speed. Sleeve wear is caused primarily by turbulence that occurs when the valve is in the near-closed position. Moving the valve as quickly as possible through this transition zone maximizes sleeve life. Actuators for On-Off service should cycle open-closed in less than 4 seconds. If your valve can not stroke this fast you might be well advised to change out to a solenoid valve with larger ports or a higher Cv.

Notes on modulating valves only:

IF VALVE OPERATION GOES UNSTABLE and continuously oscillates back and forth.

There are 2 possible reasons for this:

- a. **Too much gain:** Inside your SCADDA system is a unique PID module dedicated to controlling every modulating valve in the plant. This PID module must be “tuned” to match each individual valve’s response characteristic. To do this, the programmer in charge of the SCADDA system adjusts the gain in the PID module. The natural tendency is to crank up the gain (also known as reducing dead band) in the PID module. This improves accuracy. Increasing the gain forces the actuator to cycle more frequently.
- b. **The valve port is oversized.** The valve seems to control the flow well enough, but even at maximum flow it never goes more than 20% open. When the valve operates close to the seat the high velocity accelerates sleeve wear, requiring more frequent sleeve replacement. The sweet spot is 15% to 90% open. Operating too close to the seat (< 20% Open) can make flow control unstable forcing the actuator to cycle more frequently. **(Early contact with the Onyx Valve Company during design can help verify your port size and actuator control selections perform as proven by our historical experience at resolving valve operations for our customers)**



All dimensions are in inches.

| SIZE | 1 | 1-1/2 | 2 | 2-1/2 | 3 | 4 | 5 | 6 | 8 | 10 | 12 | 14 | 16 | 18 | 20 | |
|---------|---------|-------|------|-------|---------|-------|-------|-------|--------|-------|-------|-------|--------|-------|-------|--|
| A-S | 4.00 | 4.75 | 5.25 | 5.75 | 6.00 | 8.00 | 10.00 | 10.50 | 16.00 | 20.00 | 24.00 | 28.00 | 32.00 | 36.00 | 40.00 | |
| A-M | 5.50 | 6.00 | 7.00 | 7.50 | 8.00 | 9.00 | 15.00 | 12.00 | 21.37 | 26.50 | 29.00 | N/A | | | | |
| A-L | 6.00 | 6.50 | 8.00 | 10.00 | 12.00 | 12.00 | 18.00 | 18.00 | 24.00 | 30.00 | 36.00 | 42.00 | 45.00 | 54.00 | 60.00 | |
| A-XL | N/A | | | | | 16.00 | 20.00 | 24.00 | 32.00 | 40.00 | 48.00 | N/A | 48.00 | N/A | | |
| B | 6.50 | 7.37 | 9.25 | 11.37 | 11.37 | 14.50 | 18.12 | 21.37 | 24.25 | 27.75 | 33.75 | 36.00 | 40.00 | 43.95 | 47.25 | |
| C | 4.94 | 5.19 | 5.04 | 6.12 | 6.12 | 8.31 | 12.48 | 11.00 | 15.39 | 17.46 | 21.75 | 23.38 | 31.25 | 26.56 | 30.87 | |
| D | 2.75 | 2.71 | 3.21 | 3.50 | 3.75 | 5.18 | 6.84 | 5.50 | 8.18 | 9.25 | 11.37 | 12.25 | 16.67 | 12.50 | 16.67 | |
| H | .81 | .53 | .62 | 1.06 | 1.12 | 1.25 | 1.50 | 1.50 | 1.12 | 1.25 | 1.50 | 1.75 | 2.00 | 2.00 | 2.75 | |
| P Max | 150 psi | | | | 100 psi | | | | 75 psi | | | | 50 psi | | | |
| Wt, Lb. | 15 | 16 | 30 | 35 | 47 | 75 | 100 | 130 | 180 | 300 | 420 | 540 | 980 | 1,100 | 1,200 | |

SLEEVE REPLACEMENT

WARNING: Before attempting to disassemble the valve housing the stem must be in the retracted position. Failure to retract the stem could result in equipment damage and/or serious personal injury.

1. Relieve process pressure and drain process line.
2. Disconnect air and electric lines. Label and record connections so the valve can be reconnected in the same manner.
3. Remove valve from process line.
4. Disconnect any accessories attached to the stem or coupling.
5. Keep the valve in the open position.
6. Remove positive opening tabs from lower pinch bar (#10) by removing bolts, nuts and washers (#8A, 8B, 8C).
7. Remove the lower pinch bar by removing hex nuts (#23A) from the guide rods (#23).
8. After the lower pinch bar is removed, use a temporary air line to slowly fill the actuator. This will push the upper pinch bar down to extract the sleeve.
9. Remove the valve stem (#7) by loosening the coupling jam nut (#13A) and coupling (#13). Valve stem threads are left handed, so you have to turn the coupling and jam nut the 'wrong' way to loosen them.



10. If sleeve (#1) is provided with positive opening tabs (integrally molded tabs bolted to the pinch bar), follow steps 'a' through 'e' below. If no positive opening tabs are provided, then proceed directly to step 11.
 - a) Remove bolts, nuts and washers that secure the positive opening tabs to the pinch bar (#8A, 8B, 8C). The sleeve (#1) is now free from the pinch bar (#9 & 10). Discard old sleeve. Prepare new sleeve for installation.
 - b) Punch holes through the positive opening tabs using a gasket or pliers type punch. The diameter of the holes in tabs should be approximately equal to hole diameter in pinch bar.
 - c) Positive opening tab holes must be punched in proper alignment with respect to the flange face holes, or there will be hell to pay when you reinstall the valve.

It is very difficult to twist the rubber sleeve into position to align these holes later.

- d) Replace tab bolts, nuts and washers (#8A, 8B & 8C). Use flat washers on every hole. If you replace bolts (#8A), cut or grind flush with nut (#8C) so bolts do not puncture sleeve in closed position.
 - e) Trim the tabs even with the top surface of the pinch bar.
12. Reinsert the valve stem (#7), and replace jam nut and coupling (#13, 13A). Make sure the pinch bar is in the bonnet track.
13. Insert new sleeve and reattach the lower pinch bar. (You will have to reapply pressure to the actuator to do this.) Replace the nuts on the guide rods.
14. Apply a coat of bonnet seal to the mating flanges of the bonnet halves. Bonnets are matched and must be oriented as they were originally, or guide rods will not line up properly.
15. Replace any accessories that were previously removed. Tighten all fittings and gauges.
16. Reinstall valve in process line.
17. Reconnect air lines.



ACTUATOR REMOVAL

1. Exhaust air pressure from actuator to retract stem.
2. Remove bolts (#11A) and lock washers (#11B).
3. Loosen coupling jam nut (#13A) and remove coupling (#13).

NOTE: Valve stems have left hand threads. Turn jam nut and coupling the 'wrong' way to remove.

ACTUATOR INSTALLATION

1. Thread jam nut (#13A) onto valve stem (#7).
2. Lower actuator stem (#20) through yoke (#11) and sandwich the coupling (#13) between the actuator stem and valve stem. Engage both stems simultaneously. Turn coupling clockwise until stems are drawn against each other.
3. Turn jam nut (#13A) clockwise to lock coupling.
4. Replace actuator bolts and lock washers (#11A, 11B).

PFO AIR BAG REPLACEMENT

1. Turn off and disconnect air supply.
2. Remove tie rods (#16).
3. Remove actuator top (#17). Air bag assembly will come out as a unit. Turn actuator top and air bag assembly upside down on work surface.
4. Remove spring cap (#19) from air bag (#18) by loosening bolts, nuts, and lock washers (#19A, 19B, 19C). Leave actuator stem (#20) attached to the spring cap.
5. Remove air bag (#18) from actuator top (#17) by loosening bolts, nuts, and lock washers (#18A, 18B, 18C).
6. Discard old air bag.
7. Inspect actuator bearing (#14A). Replace if worn.
8. Attach spring cap (#19) to new air bag (#18), using bolts, nuts, and lock washers (#19A, 19B, 19C).
9. Attach new air bag assembly (#18) to actuator top (#14) using bolts, nuts, and lock washers (#18A, 18B, 18C).
10. Flip the air bag and top assembly upside right. Insert stem (#20) through the actuator bottom (#14).
11. Replace tie rods (#16) through the actuator assembly and use them to pull the actuator top down into place.

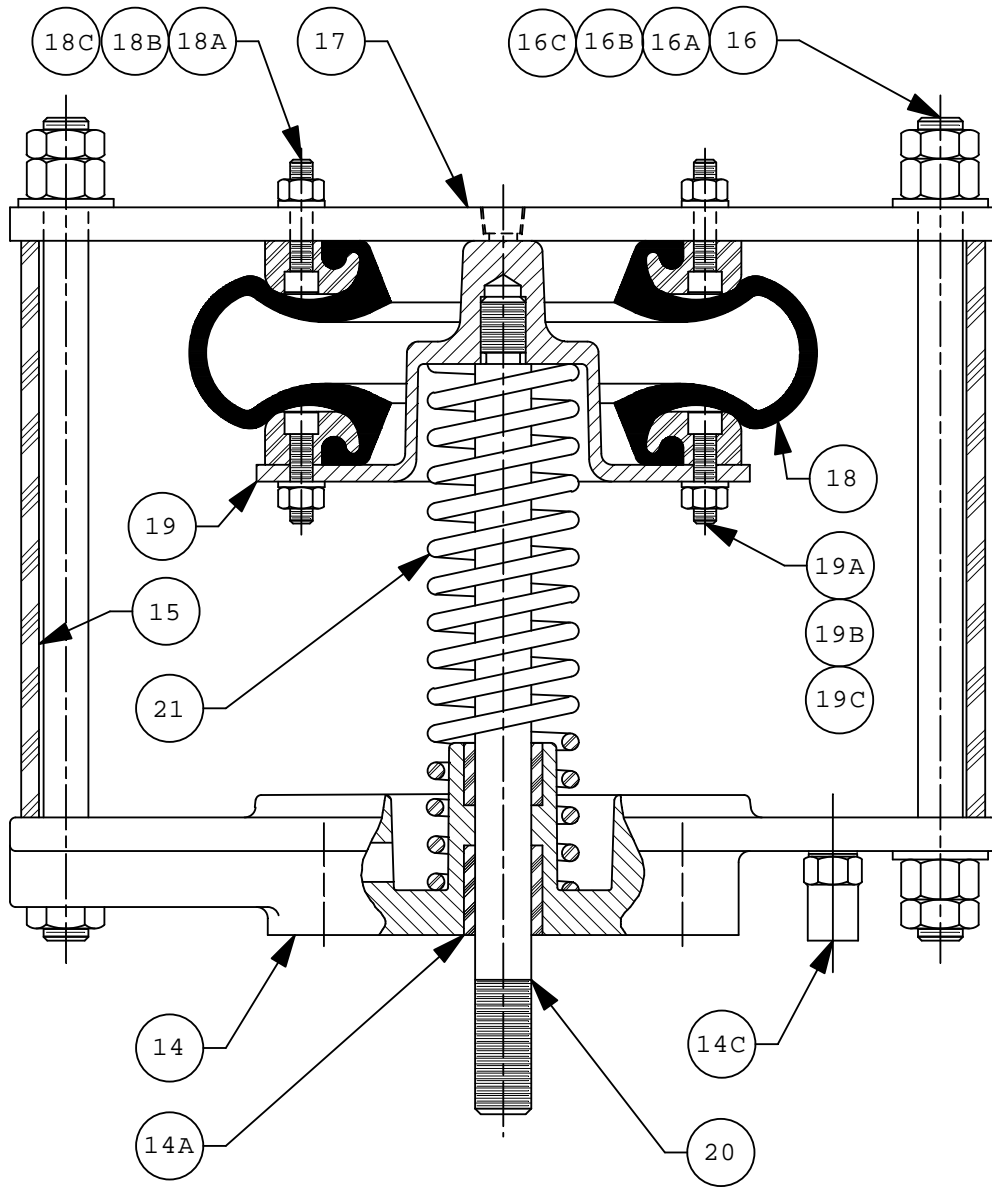
Attach hex nuts (#16B) and jam nuts (# 16C).

Important:

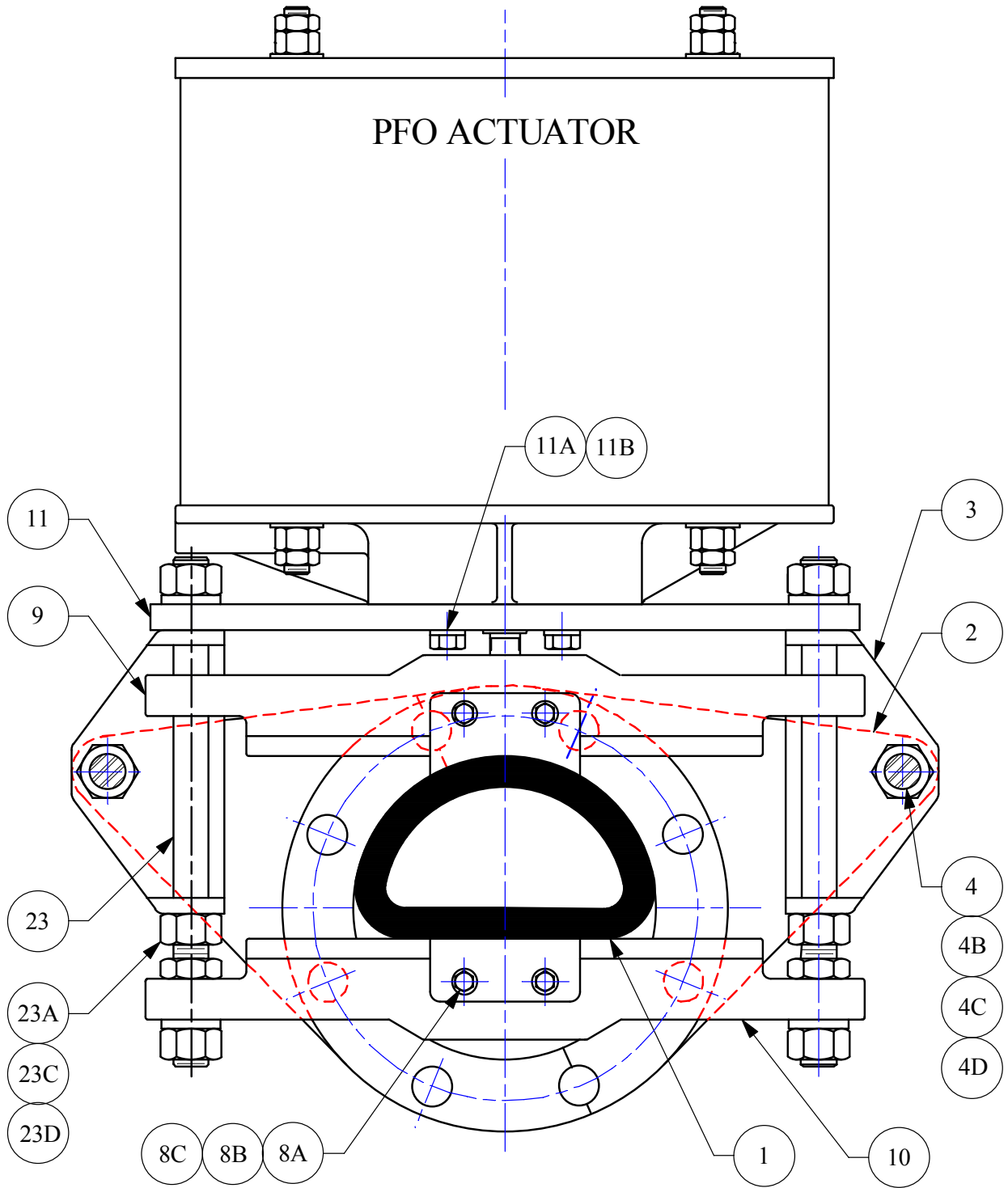
- Hex nuts first!
- Do not over-tighten. **Max torque = 5 ft-lb!**
- Then the thin jam nuts go on.
- Use two wrenches to counter tighten jam nuts against the hex nuts. Tighten the hex nuts and jam nuts against each other to 40 ft-lb. Do not tension the tie rods during this operation.

12. Reconnect airline.
13. Valve should now be ready for service.

| ITEM | NOMENCLATURE |
|-------------|--------------------------|
| 14 | ACTUATOR BOTTOM |
| 14A | BEARING, ACTUATOR BOTTOM |
| 14C | EXHAUST FILTER |
| 15 | ACTUATOR COVER TUBE |
| I6 | ACTUATOR TIE ROD |
| 16A | WASHER, TIE ROD |
| 16B | NUT, TIE ROD |
| 16C | JAM NUT, TIE ROD |
| 17 | ACTUATOR TOP |
| 18 | AIR BAG |
| 18A | SCREW, AIR BAG |
| 18B | LOCK WASHER, AIR BAG |
| 18C | NUT, AIR BAG |
| 19 | ACTUATOR SPRING CAP |
| 19A | SCREW, AIR BAG |
| 19B | LOCK WASHER, AIR BAG |
| 19C | NUT, AIR BAG |
| 20 | ACTUATOR STEM |
| 21 | SPRING |



| ITEM | NOMENCLATURE |
|-------------|--------------------------------|
| 1 | SLEEVE |
| 2 | BONNET ASSEMBLY |
| 2A | BOLT, BONNET |
| 2B | LOCK WASHER, BONNET |
| 2C | NUT, BONNET |
| 2E | PLUG, BONNET |
| 2F | SEALANT, BONNET |
| 2G | BEARING, BONNET - STEM |
| 2H | BEARING, BONNET - GUIDE ROD |
| 7 | STEM, VALVE |
| 7A | MECHANICAL STOP, VALVE |
| 8A | BOLT, POF |
| 8B | WASHER, POF |
| 8C | NUT, POF |
| 9 | UPPER PINCH BAR |
| 10 | LOWER PINCH BAR |
| 11 | YOKE |
| 11A | BOLT, YOKE - ACTUATOR |
| 11B | LOCK WASHER, YOKE - ACTUATOR |
| 13 | COUPLING |
| 13A | JAM NUT, COUPLING - STEM |
| 22 | ALIGNMENT BEARING |
| 22A | BOLT, ALIGNMENT BEARING |
| 22B | WASHER, ALIGNMENT BEARING |
| 22C | LOCK WASHER, ALIGNMENT BEARING |
| 23 | GUIDE ROD |
| 23A | NUT, GUIDE ROD |
| 23B | WASHER, GUIDE ROD |
| 23C | LOCK WASHER, GUIDE ROD |
| 23D | JAM NUT, GUIDE ROD |



Trouble Shooting:

| Symptom: | Diagnosis | How to fix: |
|--|-----------------------------------|-----------------------------|
| Process fluid is leaking out from around the stem and guide rods. | Sleeve is ruptured | Replace sleeve. See page-15 |
| Process fluid is leaking through valve when it's supposed to be fully closed. Limit switch shows valve is in full closed position. | Wire draw failure through sleeve. | Replace sleeve. See page-15 |

ONYX VALVE CO

WARRANTY

The following statement of our Warranty and Claims Policy is intended to assist our customers in understanding the terms of our warranty, the circumstances under which we will honor claims, and the procedure for making claims.

1 Warranty on Products Manufactured by Us.

We warrant Products manufactured by us to be free from defects in material and workmanship for a period of one year from the date of shipment from our factory or warehouse.

Our liability under this warranty or in connection with any other claim relating to our Products is limited to the repair, or at our option, the replacement or refund of the purchase price of any products or parts or components which are returned to us freight prepaid which are defective in material or workmanship. Products or parts or components that are repaired or replaced by us will be returned to our customer freight collect.

With regards to rubber components, Onyx Valve does not guarantee resistance to erosion, abrasion or other sources of failure, nor does Onyx Valve guarantee a minimum length of service or that the product shall be fit for any particular service.

2. Products of Other Manufacturers.

We make no warranty with regard to any products not manufactured by us. The only warranty that attaches to such Products is that warranty, if any, of the manufacturer of such Products. Our Customer Service Department should be consulted if our customers have questions as to whether particular products are covered by our warranty or are separately warranted by their manufacturers.

3 Limitation of Liability.

The only warranty that we make to our customers is that summarized above.

WE DO NOT MAKE ANY OTHER EXPRESS WARRANTIES OR ANY IMPLIED WARRANTIES, INCLUDING ANY IMPLIED WARRANTY OF MERCHANTABILITY OR OF FITNESS FOR A PARTICULAR PURPOSE OR USE.

In addition, we do not assume and we expressly disclaim any liability for (i) any special, indirect, incidental, or consequential damages which anyone may suffer as the result of the sale, delivery, servicing, use, or loss of use, of any Product, or (ii) any charges or expenses of any nature that are incurred without our express written consent.

Our total liability under our warranty or in connection with any claim involving any Product is expressly limited to the purchase price of the Product in respect of which damages are claimed.

Failure of purchaser to give prompt written notice of any alleged defect under this guarantee forthwith upon its discovery, or use, and possession thereof after an attempt has been made and completed to remedy defects therein, or failure to return product or part for replacement as herein provided, or failure to install and operate said products and parts according to instructions furnished by Onyx Valve, or failure to pay entire contract price when due, shall be a waiver by purchaser of all rights under these representations. All orders accepted shall be deemed accepted subject to this warranty which shall be exclusive of any other or previous warranty, and shall be the only effective guarantee or warranty binding on Onyx Valve.

4. What Is Not Covered By Our Warranty; Types of Damages and Claims For Which We Are Not Responsible.

The following are examples of the kinds of defects which are not covered by our warranty: defects which are caused by improper installation, improper or abnormal use or operation, or improper storage or handling; defects caused by our customer's failure to perform normal preventive maintenance; defects caused by the use of replacement parts not manufactured or supplied by us; defects caused by repairs by persons not authorized by us; defects caused by modifications or alterations made by our customer, and any damage to our Product occurring while it is in our customer's possession. Since these are examples and not a complete list, we suggest that our customers contact our Customer Service Department if they have any questions concerning the scope of our warranty.

Additional costs incurred by our customers because of delays in delivery are consequential damages for which we are not responsible.

Risk of loss or damage to our Products passes to our customer when we tender our Products to the carrier. Although we cannot process transit damage claims with any carrier on a customer's behalf, we will provide reasonable assistance to our customers when such claims arise.

5. Consultations with Customers.

When so requested, our engineers and other personnel may consult with our customers concerning our Products. While our employees offer their best judgment on any question, the ultimate responsibility for selecting that Product which will perform the functions and applications desired by the customer rests with the customer. As noted above, we make no warranty, express or implied, as to the fitness of any Product for any particular purpose or use.

6. How to Make a Claim.

Within the limits of the terms and conditions set forth on our quotation and acknowledgment forms and in this Warranty and Claims Policy, we will honor reasonable and justified claims when adequate evidence is provided to show that our Product was defective.

Whenever a customer has a claim concerning a Product, the customer should contact the Customer Service Department. CUSTOMERS SHOULD NOT RETURN ANY PRODUCTS OR PARTS OR COMPONENTS TO US WITHOUT FIRST CONTACTING US.

When contacting us, customers should have the following information available:

1. Customer name, location, purchase order number and date of purchase.
2. Serial number.
3. Product/Model number.
4. Equipment installation date.
5. Equipment failure date.
6. Application or service of unit.
7. Details of claim.

We shall have the option of requiring the return of the defective product to our factory, with transportation charges prepaid, to establish the claim and our liability shall be limited to the repair or replacement of the defective product, F.O.B. our factory. Onyx Valve Co will not assume costs incurred to remove or install defective products nor shall we incur back charges or liquidated damages as a result of warranty work.

We will notify the customer whether it will be necessary to return the Product or part or component to us. If so, we will issue the customer an "AUTHORIZED RETURN GOODS NUMBER" that must be attached to the Product or part or component before returning it. All items returned to us must be returned freight prepaid.

If we determine that the Product or part or component is defective and that the defect is covered by our warranty, we will, as explained above, correct the defect or refund the purchase price.

Customers should promptly inspect all Products upon delivery. Customers must make claims for shortages within 20 days after the date of shipment from our factory or warehouse. We suggest that shortages be noted on the bill of lading or packing list, which should then be sent to our Customer Service Department for verification.

All other claims must be submitted within 60 days after the date of shipment from our factory or warehouse, or in the case of an alleged breach of warranty, within 60 days after the date within the warranty period on which the defect is or should have been discovered.

Claims may not be deducted from payments made to us unless we have so agreed in writing in advance.

Questions?

Contact Onyx Valve Company

Phone: 1-856-829-2888 extension 112

Fax: 1-856-829-3080

Email: david@onyxvalve.com